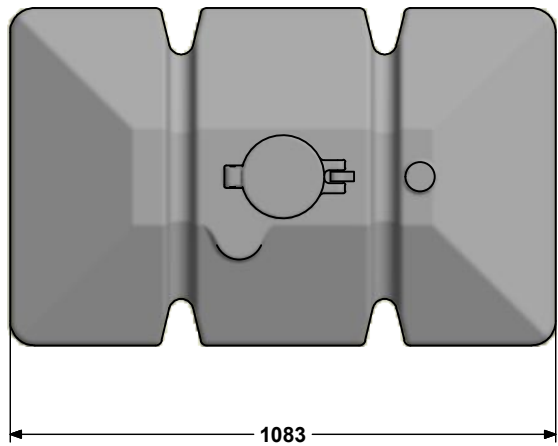
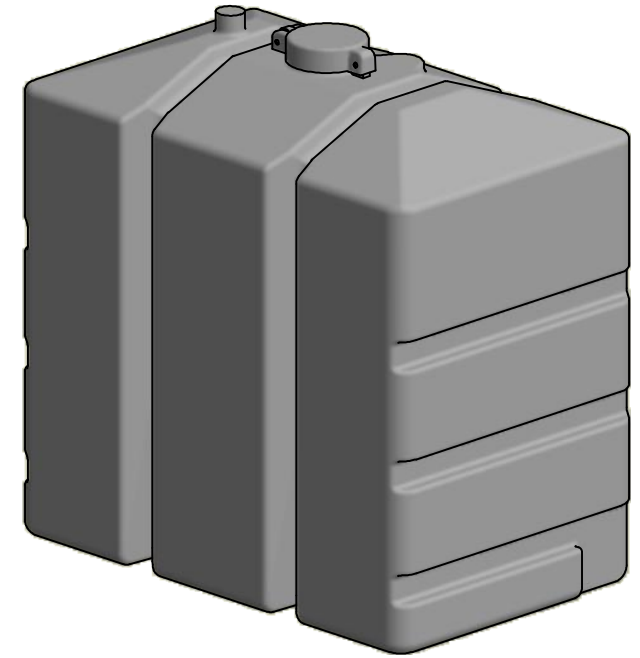
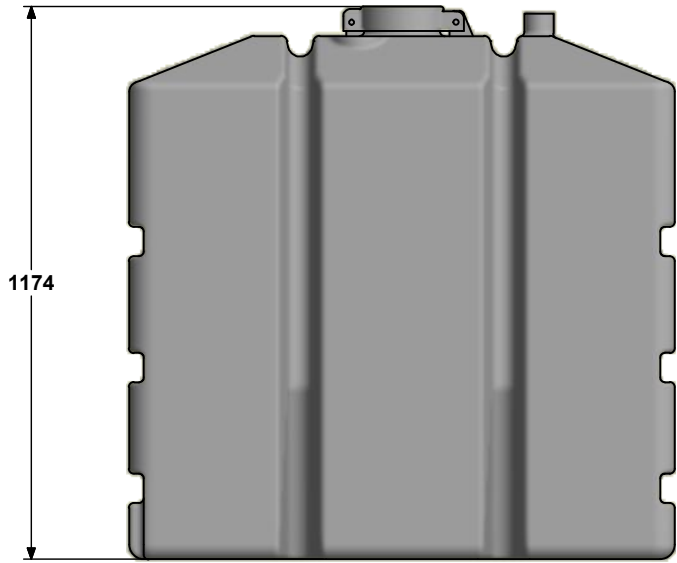


Actual
643 Litre

Nominal
611 Litre



X	XXXX-XX-XX	XXXX	XX
X	XXXX-XX-XX	XXXX	XX
R1.0	03/05/2018	-	CMC
DRAWING REVISION	DRAWING DATE	REVISION DESCRIPTION	APPROVED

CARBERY PLASTICS LTD.

CLONAKILTY ENTERPRISE PARK, CLONAKILTY, CO. DORK. TEL: 00353 (0)23 8833531

COMPANY	CARBERY PLASTICS	TITLE	650R - PRODUCT ASSEMBLY	
PROJECT	650R	DESIGNER	SEAMUS WHYTE	SHEET 1 / 1
DRAWING NUMBER	STXX00650R-XXX			

© CARBERY PLASTICS LTD.
ALL USE, EXHIBITION OR COPYING OF DRAWING EXPRESSLY FORBIDDEN UNLESS AUTHORISED BY CARBERY PLASTICS LTD.